

Example 3D print settings

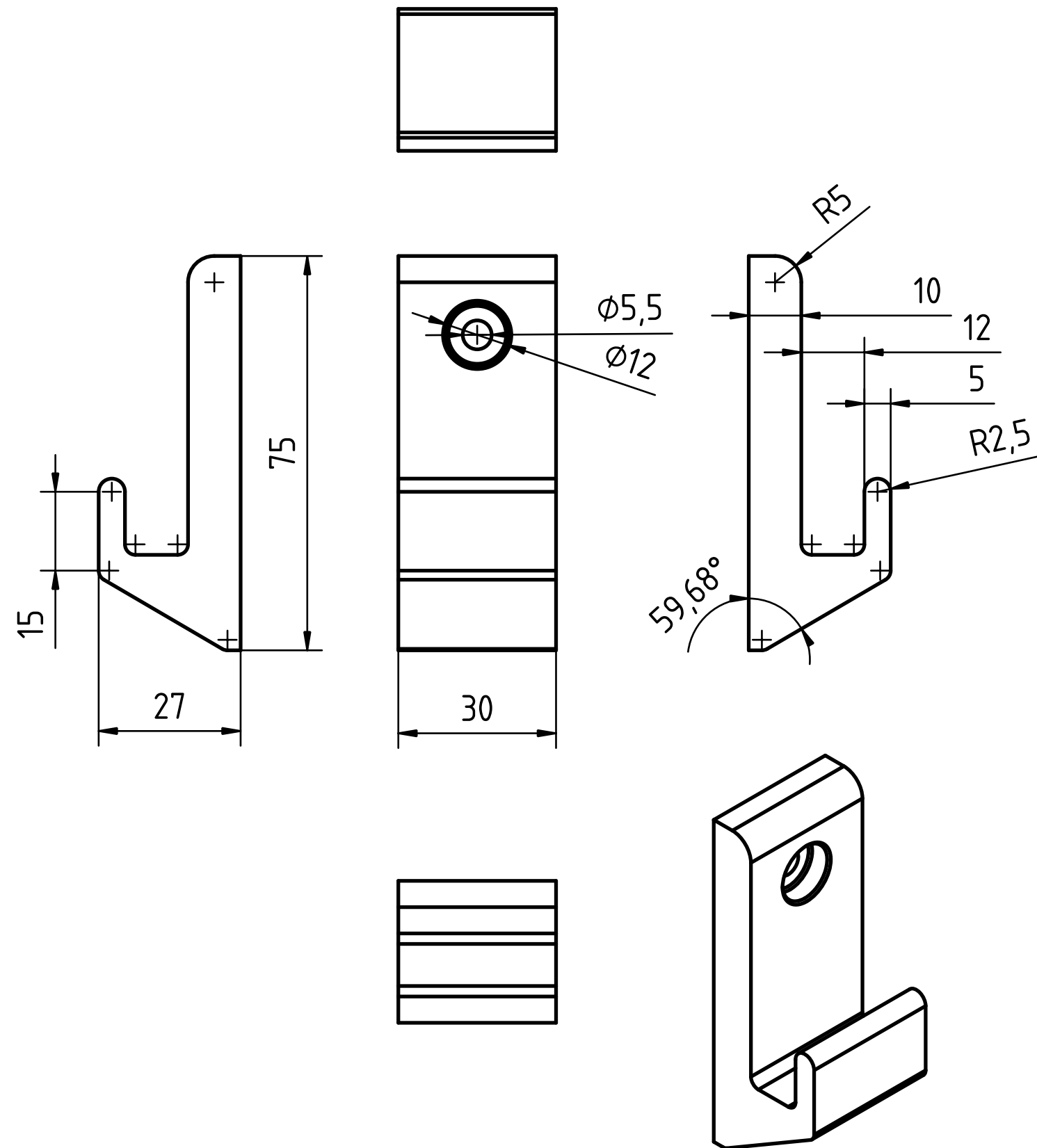
Material: PETG

Nozzle: 0,4 mm

Layer height: 0,24 mm

Walls: 3

Infill: 15%, Gyroid

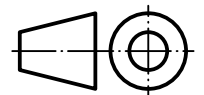


* Tested for Caterham Seven SV only *

Part Material:
not specified

General tolerances:
ISO 2768-m

Scale:
1 : 1



Title: HoodWallBracket4Sevens		Created by: Erik Schuster		Owner:	
Document type: Component Drawing		Approved by:			
Drawing number: DN		Language: EN	Issue date: 02.07.26	Revision: 2.0	Sheet: 1 / 1

* License: None commercial use only *